

# A100SONTEL Telephone Initiated Alarm Sounder

The A100SONTEL is a compact, high output, 100dB(A) telephone initiated alarm sounder.

The line powered A100SONTEL has a choice of three alarm tone frequencies.

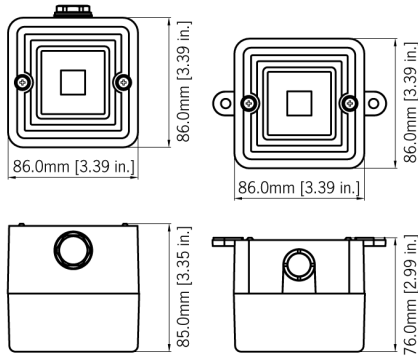
## Features

- Continuously rated.
- Stainless steel fixings.
- Unit can be mounted using external lugs or internal BESA compatible fixing positions.
- Tropicalisation available on request.

## Approvals

- GOST-R approved. Cert: POCC GB-JB05-H00144





### Specification

Nominal output:	100dB(A) @ 1m +/- 3dB [91dB(A) @ 10ft/3m]
No. of tones:	3
Volume control:	Max. 100dB(A); Min. 90dB(A)
Effective range:	32m/105ft @ 1KHz
Supply:	Direct power from telephone line (REN 1)
Ingress protection:	IP66
Enclosure material:	High impact UL94 V0 & 5VA FR ABS
Colour:	Red (RAL3000), grey (RAL7038) & white.
Cable entries:	3 x M20 clearance gland knockouts in side & back
Terminals:	0.5 to 2.5mm <sup>2</sup> cables.
Operating temp:	-25 to +55°C [-13° to +131°F]
Storage temp:	-40 to +70°C [-40° to +158°F]
Relative humidity:	90% at 20°C [68°F]
Weight:	0.26kg/0.57lbs
*SPL data +/-3dB(A). Measured at optimum voltage.	

### Part Codes

A100SONTEL [x]

[x] = Enclosure colour: G: Grey R: Red W: White